

## Branch Offices:

### AHMEDABAD

B-802, Iscon Elegance, Nr. Prahlad Nagar Corner, Opp. Karnavati Club, S.G. Highway, Ahmedabad-380051  
Ph.: 079 - 66168835/36  
E-mail: ahmedabad@hplindia.com

### BANGALORE

No.2D, 11nd Floor, Farah Winsford, 133, Infantry Road, Bangalore - 560001  
Ph.: 080-22863068/69  
E-mail: bangalore@hplindia.com

### BHUBANESWAR

N3-135, IRC Village, Nayabali, Behind Old Sai Baba Temple, Bhubaneswar-751012, Ph.: 0674-2550826  
E-mail: orissa@hplindia.com

### CHANDIGARH

SCO-14, 1st Floor, Industrial & Business Park, Phase-II, Chandigarh-160002  
Ph.: 0172-2639157/ 8146404442  
E-mail: chandigarh@hplindia.com

### CHENNAI

"Amar Sindur" S-4, 2nd Floor, No.-43, Pantheon Road, Egmore, Chennai-600 008  
Ph.: 044-28551530, 28551537  
Fax: 044-42638243  
E-mail: chennai@hplindia.com

### COCHIN

1st Floor, A.K.S. Mahal Building, XL/7813J, Achutha Warriar Lane, M.G.Road, Ernakulam, Cochin-682035  
Telefax: 0484-2354595  
E-mail: cochin@hplindia.com

### COIMBATORE

Designer Complex, Door No.130, C/2, 2nd Floor, Dr. Nanjappa Road, Coimbatore - 641018, Ph.: 0422-4393995  
E-mail: coimbatore@hplindia.com

### DEHRADUN

09/4/6, 1st Floor, East Canal Road, (Near Doon Defence Academy) Dehradun-248001  
Ph.: 0135-2664387, 2664367  
E-mail: praveensharma@hplindia.com

### GUWAHATI

Rajgarh Road, Opposite China Town Restaurant, Guwahati-781003  
Ph.: 0361-2450889  
E-mail: guwahati@hplindia.com

### HUBLI

9-10, 1st Floor, Vernekar Plaza, Desh Pande Nagar, Hubli-580029  
Ph.: 0836-4251463  
E-mail: hubli@hplindia.com

### HYDERABAD

No. 7-1-58, Flat No.403, 4th Floor, Concourse Building, Green Lands Road, Hyderabad-500016, Ph.: 040-66687878  
E-mail: hyderabad@hplindia.com

### INDORE

203, Millinda Manor 2, RNT Marg, Near Ravindra Natya Grah, Indore-452001, Ph.: 0731-4280525, 4225540  
E-mail: Indore@hplindia.com

### JAIPUR

512, 5th Floor, Plot No. 8-9, Corporate Park, Gopal Bari, Ajmer Road, Jaipur-302001  
Ph.: 0141-4021035  
E-Mail: jaipur@hplindia.com

### JAMMU

Plot No.86, Yard No.6, Transport Nagar, Jammu-180006  
E-mail: jammu@hplindia.com

### KOLKATA

69, Ganesh Chandra Avenue, India House, 7th Floor, Block-C, Kolkata-700013  
Ph.: +91 9038094379  
E-Mail: calcutta@hplindia.com

### LUCKNOW

1st Floor, Jain Building, 14/A5, Park Road Hazratganj, Lucknow-226001  
Ph.: 0522-4021687  
E-Mail: lucknow@hplindia.com

### LUDHIANA

698 - D, Model Town Extn., Opp. Silverstone Hotel, Ludhiana-141003  
Ph.: 0161-4062877  
E-Mail: ludhiana@hplindia.com

### MUMBAI

2C/H, Rushabh Chambers, 2nd Floor, Off-Makwana Road, Near Rubi Hotel, Marol, Andheri East, Mumbai-400059  
E-mail: mumbai@hplindia.com

### NAGPUR

Jagtap House, Plot No. 07, 1st Floor, Ganesh Gruh Nirman Society, Near Ganesh Mandir, Ring Road, Pratap Nagar, Nagpur-440022, Ph.: 0712-2222988  
E-mail: nagpur@hplindia.com

### PATNA

Hem Plaza, 5th Floor - 510, Frazer Road, Patna-800001(Bihar), Ph.: +91 9334697299  
E-mail: patna@hplindia.com

### PUNE

Sunrise Skyline 3rd Floor, Plot No. 28/2 Scheme No. 11 B Opp. MSEB Office Somwar Peth Pune-411001 Ph.: +91 9028032724  
E-mail: pune@hplindia.com

### RAIPUR

1st Floor, Near Holy Heart School Chattisgarh College Road, Civil Line, Raipur (C.G.)-492006, Ph.: 0771-4218002/04  
E-mail: raipur@hplindia.com

### RANCHI

203, 2nd Floor, Mahalaxmi Complex, Line Tank Road, Ranchi-834001  
Telefax: 0651-2206144  
E-mail: ranchi@hplindia.com

### SILIGURI

1st Floor, Parasuna Bhawan, Ward No.13, Udham Singh Sarani, Asram Para, Siliguri-734001  
E-mail: siliguri@hplindia.com

### VADODARA

409/410, Silver Oak Complex, Near Sainik Park, Char Rasta, Productivity Road, Akota, Vadodara - 390020 Gujarat  
Ph.: 0265-2341747, Fax:0265-2352107  
E-mail: baroda@hplindia.com

### VIJAYAWADA

D.No.-29-37-135, 2nd Floor, G. R. Plaza, Eluru Road, Beside Canara Bank, Vijayawada-520002 Ph.: 0866-6622291  
E-mail: vijayawada@hplindia.com

### VIZAG

B.K. Towers, 49-34-1/63, 3rd Floor Akka Yapalem Main Road, NH-5 Junction, Vizag-530016 (A.P.), Ph.: 0891-2794506  
E-mail: vizag@hplindia.com

## Resident Offices:

Agartala	Balasure	Davangere	Jharsuguda	Moradabad	Silchar	Vapi
Agra	Belgaum	Durg	Jodhpur	Mysore	Surat	Varanasi
Allahabad	Berhampur	Goa	Kanyakumari	Nagercoil	Sholapur	Vellore
Anantpuram	Bhilai	Gorakhpur	Kolhapur	Nasik	Srinagar	
Aurangabad	Bhopal	Gulbarga	Kota	Patiala	Sambalpur	
Amravati	Bilaspur	Jabalpur	Madurai	Pondicherry	Tirupati	
Akola	Bijapur	Jabli	Malda	Rajkot	Trichy	
Angul	Calicut	Jamshedpur	Mangalore	Rourkela	Trivandrum	
Bareilly	Cuttack	Jalandhar	Meerut	Salem	Udaipur	

## Works:

- Gurgaon - Haryana
- Kundli - Haryana
- Jabli - Himachal Pradesh
- Sonapat - Haryana
- Karnal - Haryana

**Terms & Condition**  
 » Prices are inclusive of VAT / local sales tax etc.  
 » The prices are subject to change without any prior notice.  
 » Company reserves the right to issue amendments, which may arise due to any errors in price list.  
 » All disputes are subject to Delhi Jurisdiction only.  
 Please refer separate price list for other product range.



## HPL Electric & Power Ltd

Corp. Office: Windsor Business Park, B-1D, Sector-10, Noida, U.P. - 201301, INDIA.  
 Tel.: +91-120-4656300, Fax: +91-120-4656333  
 Registered Office: 1/20, Asaf Ali Road, New Delhi - 110 002, INDIA.  
 E-mail: hpl@hplindia.com

Customer Care No. :  
18004190198

www.hplindia.com



# Technology of Measurement...

# defined

# Power Factor Controller

## 6 / 8 / 12 / 14 Steps



## HPL PFCR For Clean Power





**Features**

- Microprocessor based intelligent auto switching control
- Automatic C/K and rated step adjustment
- Automatic CT polarity correction
- Display of power factor, current & total harmonic distortion of current
- Programmable sensitivity
- Last step can be used as alarm / fan output
- Under/over voltage alarm, under/over compensate alarm & high harmonic distortion alarm

**Technical Data**

**Ratings Auxiliary Power Supply**

Supply voltage : 346~415VAC  
 Operating Limits : -15% to +10%  
 Consumption : 10VA max  
 Frequency : 50Hz

**Current Input**

Rated Current, In : 5A  
 Operating Limits : 0.05A-6.5A  
 Rated Frequency : 50Hz

**Relay Output**

Numbers of Outputs : 6/8/12/14  
 Contact arrangement : No contact type  
 Rated capacity : 5A, 250V AC (Cos =1)  
 Max current for the Common terminals : 12A Continuous

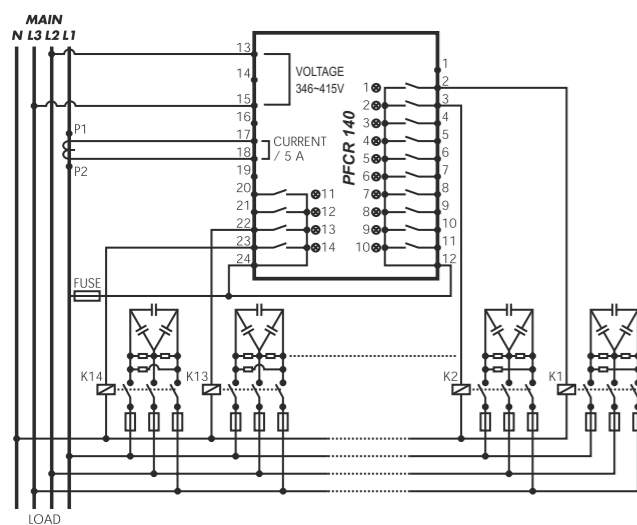
**Control Range**

Power Factor Setting : 0.8 inductive - 0.8 capacitive  
 C/K setting : 0.03-1.20 / Automatic  
 Switching Sensitivity : 5-600s / step  
 Reconnection time for Same step : 5-240s  
 THD Threshold : 0.20-3.00 (20%-300%) / OFF  
 Switching Program : Automatic / Automatic Rotate / 4-quadrant / Manual  
 Rated step coefficient : 0/1/2/3/4/6/8/12/16 (Automatic if C/K set of Auto)

**Mechanical**

Mounting : Panel Mounting  
 Dimension (h x w x d) : 144x144x91mm  
 Approximate Weight : 1kg

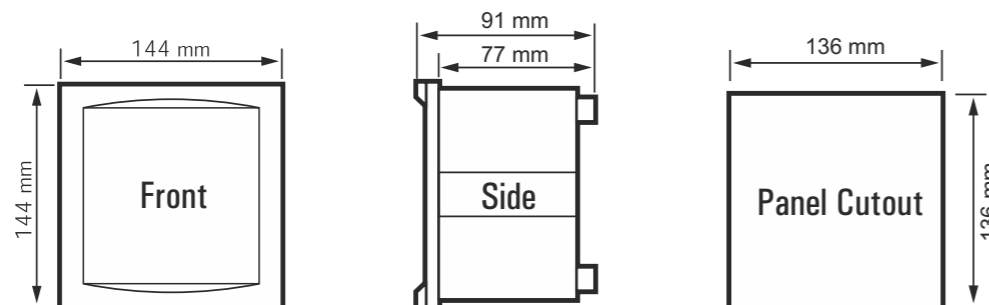
**Application Diagram**



**Ordering Information**

Item Code	Description
PFC06041550	6 Steps, 415V AC, Hz Power Supply
PFC08041550	8 Steps, 415V AC, 50Hz Power Supply
PFC12041550	12 Steps, 415V AC, 50Hz Power Supply
PFC14041550	14 Steps, 415V AC, 50Hz Power Supply

**Dimension Drawing**



**Features**

- Auto detection of Capacitor Values, KVAR based sensing with sophisticated algorithm
- Phase reversal correction
- Compact size upto 12 Relay
- Measures Voltage (L-L), Current, Power Factor(Average), Reactive Power(Total)

**Technical Data**

Auxiliary supply : 80-300V AC/DC at 50 HZ  
 Burden : 2VA Max  
 Input Voltage : 90-550V AC  
 Burden : 0.2 VA Max per phase  
 PT Ratio : 100V to 100KV/100-500 V  
 Input current : 50mA-6A  
 Burden : 0.2VA max per phase  
 CT Ratio : 5 to 9999A/5 A  
 Display : Single row 4 Digit LED  
 No. of Relay : 6 / 8 / 12 / 14  
 Relay : NO Contact at 5A, 250V AC

**Control Range**

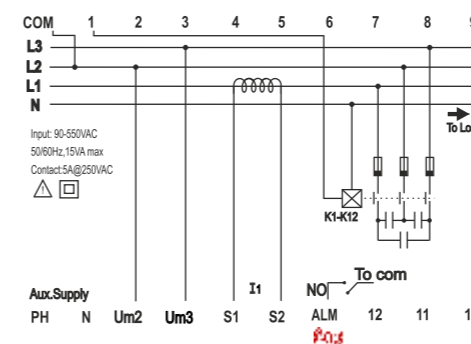
Power Factor setting : 0.003 lag to 0.003 lead  
 Reconnection time : 2 to 99 sec  
 No. of Relay selection : 1 to max(as per max stage of PFCR)  
 Switching Program : Auto/Manual

**Mechanical**

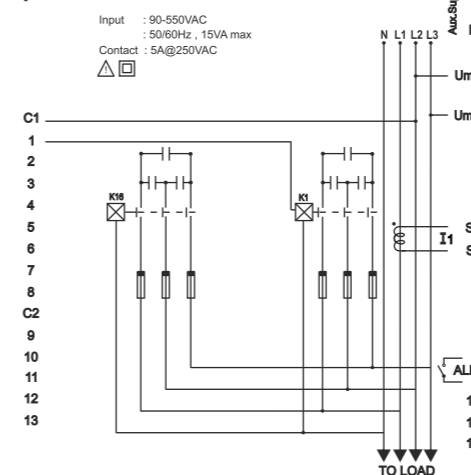
Mounting : Panel Mounting  
 Dimension : 96x96x54mm for 6/8/12 stage & 144x144x34mm for 14 stage

**Application Diagram**

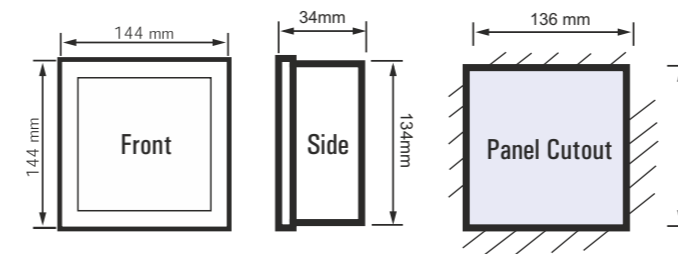
**a) 6,8,12 Steps**



**b) 14 Steps**



**Dimension Drawing**



**Ordering Information**

Item Code	Description
NPFC06100096	6 STAGE 96X96 1CT LED
NPFC08100096	8 STAGE 96X96 1CT LED
NPFC12100096	12 STAGE 96X96 1CT LED
NPFC14100144	14 STAGE 144x144 1CT LED

